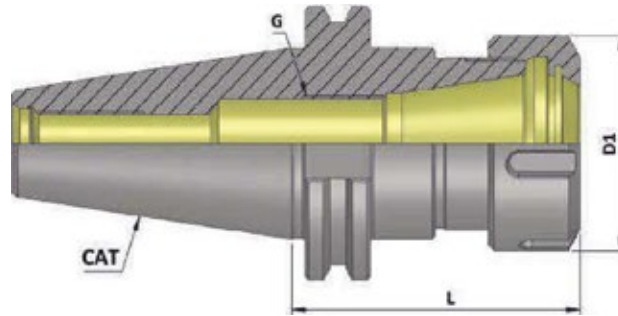





ER COLLET CHUCKS & COLLETS SALE

CAT40 HOLDERS (ANSI B 5.50) | ER COLLETS (DIN 6499) Class 1

ER COLLET CHUCKS | CAT40 - ANSI B 5.50 - Balanced to 6.3 G 15000 RPM

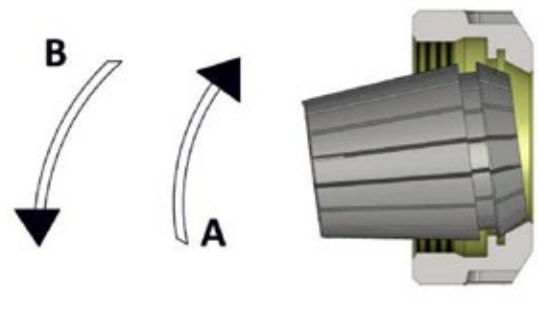
- Maximum run-out of internal taper with respect to external taper: 0.005 mm



DESCRIPTION		COLLET CAPACITY	D1	G	L	PART NUMBER	PRICE
	CAT40 ER 16 070 6.3G15000 SL	1-10 mm	32	M10 x 1	070	K10203149125122	\$41.50
	CAT40 ER 16 100 6.3G15000 SL				100	K10203149148122	\$46.50
	CAT40 ER 16 160 6.3G15000 SL				160	K10203149175122	\$78.95
	CAT40 ER 20 070 6.3G15000 SL	1-13 mm	35	M10 x 1	070	K10203150125122	\$41.50
	CAT40 ER 20 100 6.3G15000 SL				100	K10203150148122	\$46.50
	CAT40 ER 20 160 6.3G15000 SL				160	K10203150175122	\$78.95
	CAT40 ER 32 070 6.3G15000 SL	2-20 mm	50	M22 x 1.5	070	K10203152125122	\$43.50
	CAT40 ER 32 100 6.3G15000 SL				100	K10203152148122	\$49.50
	CAT40 ER 32 160 6.3G15000 SL				160	K10203152175122	\$80.95

ER COLLET & NUT OPERATING METHOD:

- Collet must always be inserted into nut before setting tool into collet
- Collet fitted inside nut by applying slight pressure (**A**)
- Removed by applying pressure to collet (**B**)
- Never tighten chuck without correct size tool shank in the collet



SPANNER WRENCH

SPANNER E16
PART #: K1018435301127

\$6.75

SPANNER E20
PART #: K10184356301127

\$7.25

SPANNER E32
PART #: K10184358301127

\$9.95

CONTACT OMNITool TODAY TO SAVE!

PRICES VALID UNTIL FURTHER NOTICE



www.omnitool.ca

Email: sales@omnitool.ca
Toll Free: 1-800-265-3541
Tel: (519) 622-3065 | Fax: (519) 622-3270

284 Pinebush Road Unit 1, Cambridge ON N1T 1Z6

ER COLLET CHUCKS & COLLETS SALE

CAT40 HOLDERS (ANSI B 5.50) | ER COLLETS (DIN 6499) Class 1

ER COLLETS | DIN 6499 - Class 1



DESCRIPTION	PART NUMBER	PRICE
ER16	1.0 - 0.50 mm	K10155291301207
	2-1 mm	K10155292301207
	3-2 mm	K10155293301207
	4-3 mm	K10155294301207
	5-4 mm	K10155295301207
	6-5 mm	K10155296301207
	7-6 mm	K10155297301207
	8-7 mm	K10155298301207
	9-8 mm	K10155299301207
	10-9 mm	K10155300301207
ER20	1.0 - 0.50 mm	K10156329301207
	2-1 mm	K10156292301207
	3-2 mm	K10156293301207
	4-3 mm	K10156294301207
	5-4 mm	K10156295301207
	6-5 mm	K10156296301207
	7-6 mm	K10156297301207
	8-7 mm	K10156298301207
	9-8 mm	K10156299301207
	10-9 mm	K10156300301207
	11-10 mm	K10156301301207
	12-11 mm	K10156302301207
	13-12 mm	K10156303301207
ER32	1.0 - 0.50 mm	K10158291301207
	2-1 mm	K10158292301207
	3-2 mm	K10158293301207
	4-3 mm	K10158294301207
	5-4 mm	K10158295301207
	6-5 mm	K10158296301207
	7-6 mm	K10158297301207
	8-7 mm	K10158298301207
	9-8 mm	K10158299301207
	10-9 mm	K10158300301207
	11-10 mm	K10158301301207
	12-11 mm	K10158556301207
	13-12 mm	K10158303301207
	14-13 mm	K10158304301207
	15-14 mm	K10158305301207
	16-15 mm	K10158306301207
	17-16 mm	K10158307301207
	18-17 mm	K10158308301207
	19-18 mm	K10158309301207
	20-19 mm	K10158310301207

\$9.95 /ea.

\$9.95 /ea.

\$11.35 /ea.

CONTACT OMNITOOL TODAY TO SAVE!

PRICES VALID UNTIL FURTHER NOTICE



Email: sales@omnitool.ca
 Toll Free: 1-800-265-3541
 Tel: (519) 622-3065 | Fax: (519) 622-3270

www.omnitool.ca 284 Pinebush Road Unit 1, Cambridge ON N1T 1Z6