

CLEARED FOR TAKEOFF

Aerospace Solutions



**SHOP THESE
SOLUTIONS**





Reach New Heights Using Kennametal's Aerospace Solutions

The aerospace industry is vast and complex with new regulations taking off every day—but you can count on our legacy in the design and development of aerospace tooling solutions to take your projects to new heights. We have aerospace expertise, solution-driven products and unmatched, expert technical support you can rely on to navigate the challenges of aerospace machining like tough materials, intricate designs and tight tolerances.

We are in tune with this industry's developing landscape and often fluctuating demand for parts, with some of our tooling solutions even touted by major industry players as go-to's for excellence and optimized production in your aerospace operations.



Ready for takeoff?
kennametal.com/aerospace

WHY YOU CAN COUNT ON KENNAMETAL

Aerospace Expertise

We are your go-to from the field to the lab, whether for the implementation of complex tool paths or development of tooling solutions for your unique aerospace components. We're pioneers in working with high-temp alloys and masters in recommending machining methods that can bring your visions to life with increased performance and precision.

Solution-Driven Products

Our full offering of aerospace-specific tooling, accessories and tooling systems is designed to meet the unique needs of the aerospace market, like working efficiently on high-temp alloys, composite materials, aluminums and hard alloys. From our coating technologies to our material-specific tooling designs, we have aerodynamic solutions that can optimize performance and we continue to push the envelope on new technologies every day.

Machining Strategy and Programming Support

Whether you are working on something entirely new or reprogramming an existing part, we have the technical know-how to help you improve process and productivity. Our team utilizes the latest in digital tools and CAM packages to simulate and recommend the right machining strategy for your unique needs.

Building Better with Dynamic Partnerships

Manufacturers choose to partner with us because of our established relationships, built over decades, with key customers, machine tool builders, suppliers and original equipment manufacturers who work with us to support this rapidly and continually developing industry.

Unmatched, Global Application Support

Whether you're handing us a blueprint for a custom component design or seeking a material-specific tooling solution, our team has the in-depth application, materials science and process engineering know-how to make it happen. We can help you capitalize on existing assets and deliver solutions that increase your productivity. Our dedicated team of specialists is focused on your needs from start to finish.

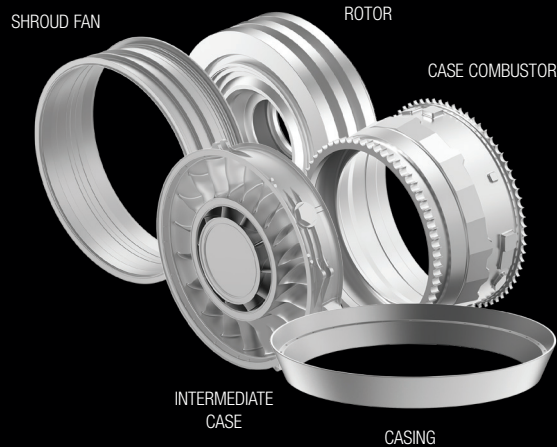
ENGINE CASES & DISKS

TURBINE DISKS

These complex titanium or Ni-based alloy parts require management of low thermal conductivity and vibration to avoid part deformation. There is an increased need for application specific tooling to provide required cooling capabilities.

CASES

These larger components require challenging process controls and careful application with tool pressure in mind. Materials include aluminum, titanium and Ni-based alloys where internal and external milling operations must consider thin-wall features and fine surface finish requirements.

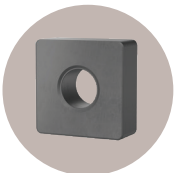


COMPONENTS SOLUTIONS



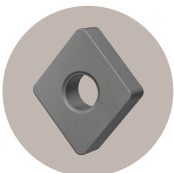
KCS10B Grade

- Delivers longer tool life with high depth-of-cut notching resistance
- Optimum layer adhesion for increased process reliability and sharp cutting edges



KYS25 Grade

- Excellent surface finish, lower cutting forces and higher speeds
- Advanced CVD coating provides excellent chemical and depth-of-cut notch resistance



KYS30 Grade

- Long, consistent tool life
- Excellent toughness and depth-of-cut notch resistance
- Performs in a wide variety of machining conditions, including interrupted cuts and applications involving scale



A4™ Grooving & Turning Inserts

- Extra-long clamping area, ground 120° bottom prism seating surface and an exclusive top guide rail combine to deliver unsurpassed grooving and side-turning stability
- Precise insert positioning is ensured for accurate cuts
- Rigid clamping securely locks insert in place through the toughest cuts
- Chip control inserts provide excellent chip evacuation in grooving and offer better chip control in multi-directional turning



Beyond Evolution™ Grooving & Cut-Off

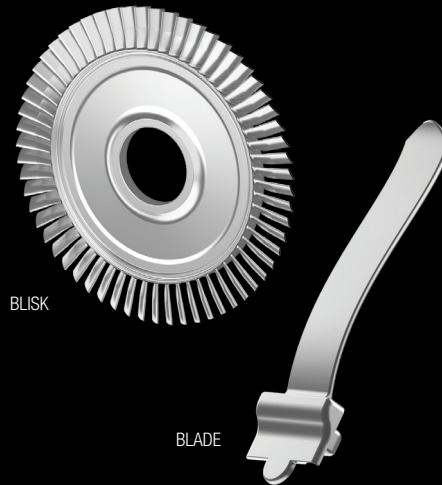
- Single-side grooving, cut-off and multi-directional turning
- Triple-V insert seating for high stability and precise insert positioning
- Fan effect precisely delivers coolant to cutting zone and improves chip control and tool life

GOdrill™ Solid Carbide Drills (see pg. 5)

ENGINE BLISKS & BLADES

BLISKS

Blisks are difficult to machine due to toughness and impact resistance which imposes excessive wear on tooling, as well as managing complex curved surfaces at tight tolerances.



COMPONENTS

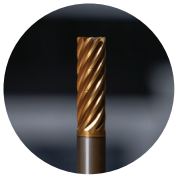


HARVI™ III Solid End Mills

Featuring KCSM15A grade as best in class for titanium machining

Diameter range: 4mm – 25mm (1/8" – 1-1/2")

Available in square, radius, ball nose and taper ball nose



HARVI IV Solid End Mills

Dynamic milling and finishing operations

Featuring internal coolant supply and chipbreakers for more efficient chip evacuation

8-flute design enhances flexibility and process stability

Diameter range: 10mm – 25mm (3/8" – 1")

Available in square and radius



Ceramic End Mills

The most efficient solution for roughing nickel-based high-temp alloys

Up to 5X higher productivity than solid carbide end mills



G0drill Solid Carbide Drills

Marginless design for reduced friction and heat — thus longer tool life

Uninterrupted straight cutting lip allows no starting point for wear and enables even distribution of cutting forces for longer tool life in all materials and less chipping on cutting edge

SOLUTIONS

STRUCTURE

BRACKETS, DOOR FRAME & MOUNTS

BRACKETS

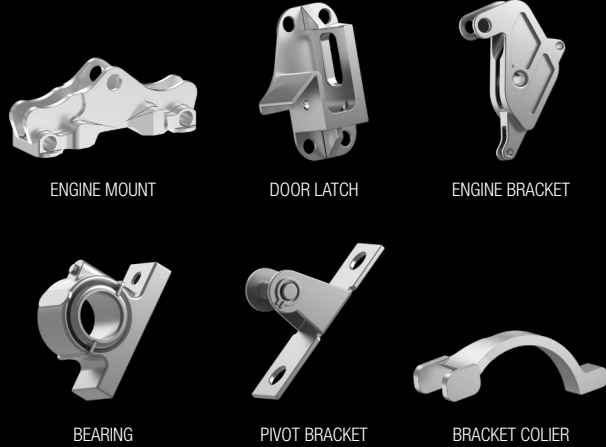
Brackets require deep slot machining in a low thermal conductivity material and the elimination of vibrations to reach required tolerance and surface finish efficiently.

DOOR FRAME

Creating a perfect shape for door frames can be challenging while machining on titanium's low thermal conductivity and high tension strength.

MOUNTS

The ratio between depth, thickness of the wall and overall shape require the right application and tools in sequence to reach required surface quality while avoiding vibrations.



COMPONENTS SOLUTIONS



SGL Solid Carbide Drills

With through coolant for stainless steels and high-temp alloys

Combines all new SGL point geometry with a patented gashing, a unique flute design and a best-in-class coating

Applicable in KCMS15 grade for stainless steels and high-temp resistant materials

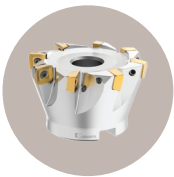
Highly polished surface ensures superior chip evacuation even when low-pressure coolant is applied



KSEM™ Modular Drills

Covers drilling applications in a diameter range of 12,5 – 40mm (.4921 – 1.5748") up to 10xD

With four large contact surfaces, the insert pocket seat provides maximum stability, even in challenging conditions



7792 High-Feed Milling Cutters

Cover multiple applications like facing, pocketing, ramping, helical interpolation and plunging

Ideal when high MRR and reduced cycle times are a requirement



HARVI Ultra 8X Helical Milling Cutters

Up to 8 cutting edges per insert

Designed to deliver the highest MRR, especially in high-temp alloys

Lead inserts in various corner radii available

Achieving maximum tool stiffness and tool life

Ideal for machines designed to produce airframe structural parts

GoDrill Solid Carbide Drills (see pg. 5)

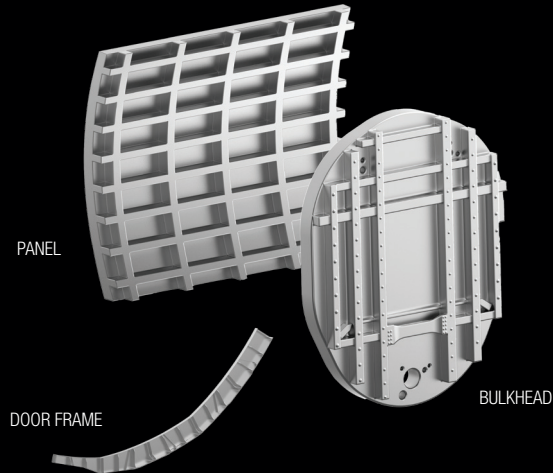
HARVI III Solid End Mills (see pg. 5)

HARVI IV Solid End Mills (see pg. 5)

STRUCTURE RIBS & PANELS

RIBS & PANELS

This machining requires significant material removal from the original workpiece and highly efficient and productive processes for face and pocket milling when working with delicate, thin-walled structures.



COMPONENTS SOLUTIONS



GOdrill Solid Carbide Drills

Marginless design for reduced friction and heat delivers longer tool life

Uninterrupted straight cutting lip allows no starting point for wear and enables even distribution of cutting forces for longer tool life in all materials and less chipping on cutting edge

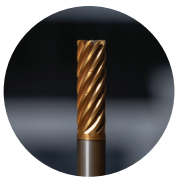


HARVI III Solid End Mills

Featuring KCSM15A grade as best in class for titanium machining

Diameter range: 4mm – 25mm (1/8" – 1-1/2")

Available in square, radius, ball nose and taper ball nose



HARVI IV Solid End Mills

Dynamic milling and finishing operations

Featuring internal coolant supply and chipbreakers for more efficient chip evacuation

8-flute design enhances flexibility and process stability

Diameter range: 10mm – 25mm (3/8" – 1")

Available in square and radius

SGL Solid Carbide Drills (see pg. 6)

7792 High-Feed Milling Cutters (see pg. 6)

STRUCTURE BEAMS & SEAT TRACK

BEAMS

To avoid part deformation, a strategic machining sequence is mandatory to balance productivity and stress on the part.

SEAT TRACK

Creating a perfect shape for seat tracks can be challenging while machining on titanium's low thermal conductivity and high tension strength.



COMPONENTS

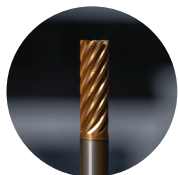


HARVI III Solid End Mills

Featuring KCSM15A grade as best in class for titanium machining

Diameter range: 4mm – 25mm (1/8" – 1-1/2")

Available in square, radius, ball nose and taper ball nose



HARVI IV Solid End Mills

Dynamic milling and finishing operations

Featuring internal coolant supply and chipbreakers for more efficient chip evacuation

8-flute design enhances flexibility and process stability

Diameter range: 10mm – 25mm (3/8" – 1")

Available in square and radius



HARVI Ultra 8X Helical Milling Cutters

Up to 8 cutting edges per insert

Designed to deliver the highest MRR, especially in high-temp alloys

Lead inserts in various corner radii available

Achieving maximum tool stiffness and tool life

Ideal for machines designed to produce airframe structural parts



KSEM Modular Drills

Covers drilling applications in a diameter range of 12,5 – 40mm (.4921 – 1.5748") up to 10xD

With four large contact surfaces, the insert pocket seat provides maximum stability, even in challenging conditions

SGL Solid Carbide Drills (see pg. 6)

GoDrill Solid Carbide Drills (see pg. 5)

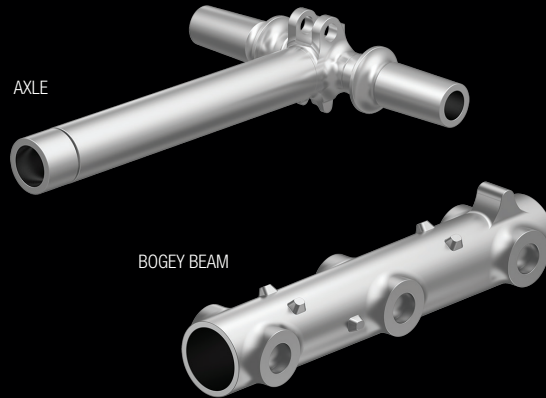
7792 High-Feed Milling Cutters (see pg. 6)

SOLUTIONS

LANDING GEAR BEAMS & AXLES

BEAMS & AXLES

These components often require custom tooling solutions or heavy machining solutions for sturdy forged titanium materials.



COMPONENTS SOLUTIONS



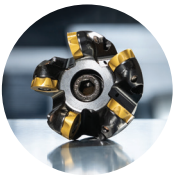
KSEM PLUS™ Modular Drill for Large Diameter Drilling

Combines the advantages of a modular drill and an indexable drill
Provides high speed and feed capability with large length-to-diameter ratio



FBX™ Drill

4 large chip flutes and 4 cutting edges on outer diameter for fast stock removal on large metal plates or forgings when used in plunging operations
Center insert with 2 cutting edges and chip splitters for perfect chip formation and maximum feed rates
Flat bottom drill point design eliminates radial forces, ideal for applications on machines with lower horsepower
Ideal for pre-machining high-temp alloys and stainless steels



KSRM™ Daisy Copy Milling Cutters

Engineered for titanium and stainless steels machining
Anti-rotation components feature 8 indexable positions
Pocketing, ramping, plunging and helical interpolation capabilities

HARVI III Solid End Mills (see pg. 5)

HARVI IV Solid End Mills (see pg. 5)

LANDING GEAR

LINKS, FITTINGS & BRACKET

TORSION LINK

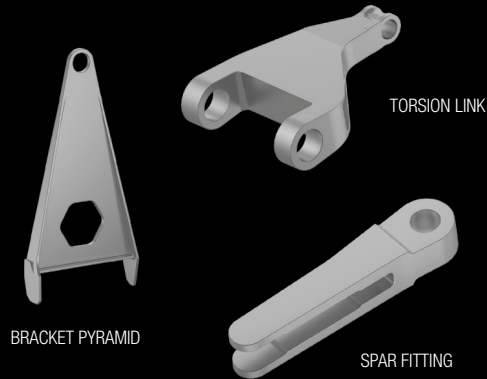
These components require deep slotting and pocketing typically on 300M material.

SPAR FITTING

Machining composite components and aluminum, which consist of thin walls, requires careful part movement and precise and rigid fixturing, while managing machining around multiple pockets.

BRACKET

This machining process demands precise hole placement on the bracket while adhering to tight tolerances.



COMPONENTS



Mill 4-11™ & Mill 4-15™ Shoulder Milling Cutters

Unique design enables multiple passes

Mill 4-11 for roughing to finishing applications in steel, cast iron, stainless steels, non-ferrous materials and high-temp alloys

Mill 4-15 for roughing to finishing applications in steel, cast iron, stainless steels and titanium



KenTIP™ FS Modular Drills

Covers 6 – 26mm (0.237" – 1.02") diameter range and up to 12xD drilling depths

Large, ultra-high polished chip flutes for hassle-free chip evacuation, enhanced tool life and performance

Large bearing surface positioned for transmission of highest torsional loads without pocket deformation

Coolant delivery to drill point and rake for optimal coolant distribution



Kenna Universal™ Drills

4-margin land design provides hole straightness and roundness, even when drilling cross holes

Low thrust drill point design has excellent centering capabilities for less stable machining conditions

All shanks fulfill the DIN 6535 and 69090-03 requirements for minimum quantity lubrication

HARVI Ultra 8X Helical Milling Cutters (see pg. 6)

HARVI III Solid End Mills (see pg. 5)

HARVI IV Solid End Mills (see pg. 5)

7792 High-Feed Milling Cutters (see pg. 6)

SOLUTIONS

COMPOSITES

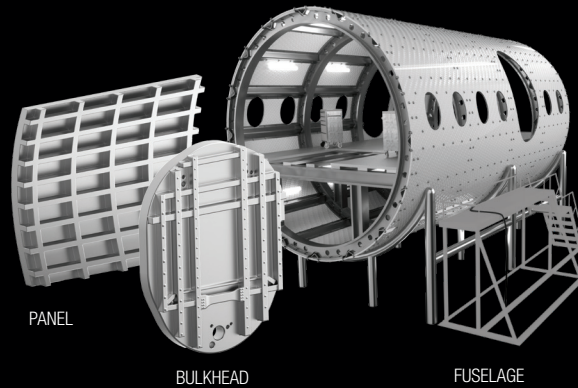
SPOILERS, FUSELAGE & WING SPARS

SPOILERS

Spoilers require solutions that can machine varying Carbon Fiber Reinforced Plastics (CFRP) components to achieve reduced delamination, splintering and fraying during trimming and fastener drilling operations.

FUSELAGE / WING SPAR

Drilling stacked parts is required for assembly, making heat control for carbon compounds, excellent chip evacuation, burr height management and suppression of delamination necessary.



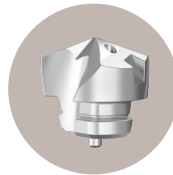
COMPONENTS

HOLEMAKING



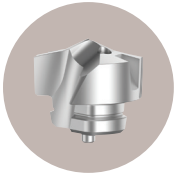
KenTIP FS – SPF

Through coolant with double angle geometry of 128° and 90° to avoid delamination in CFRP applications



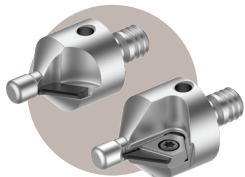
KenTIP FS – DAL

DAL point geometry for CFRP stacks with metal exit (CFRP-Al and CFRP-Ti), high-temp alloys and non-ferrous metals



KenTIP FS – DAV

For vibration assisted drilling of CFRP stacks with metal exit, non-ferrous materials and titanium



KenShape™ MaPACS & MaxPACS

For manual countersinking applications on aerospace CFRP components
MaPACS (brazed) version — Designed for up to three regrinds for lowest cost per part
MaxPACS (indexable) version — Delivering a highly economical solution without regrinding



HiPACS

The HiPACS drilling and countersinking tool is a unique high-precision system, achieving 1° angular countersink tolerances in aerospace fastener hole applications

TRIMMING



KenCut™ Routers

Proprietary substrate optimizes coating adhesion and improves tool life
Designed to provide high feed rates and promote stable cutting conditions
Burr-routers designed for trimming and slotting fiberglasses and composites
Down-cut routers for surface work and floor finishing, with excellent ramping capabilities that eliminate surface delamination

SOLUTIONS

READY FOR TAKEOFF?



Impacting an Industry

We're trusted by some of the best in the industry for aerospace tooling excellence. Lockheed Martin features Kennametal's HARVI solid carbide end mills lineup as a preferred product in the company's internal machining guide. **This resource** is produced by Lockheed Martin Aeronautics' Operations Technology group for internal operations and engineering, as well as global supply-chain partners, and **identifies the most effective parameters and processes for machining material-specific aerospace components.**



AEROSPACE TOOLING EXCELLENCE

HARVI III is featured as a preferred product in Lockheed Martin's internal machining guides.

Reaching New Heights

"Kennametal is helping us solve unique challenges to meet demand more efficiently. They have been a valuable supplier to P&W as we deliver on our company's long-term strategy through their collaboration and expertise in the aerospace machining, tooling and application space."

Director, Cold Section Operational Excellence (OpX), Pratt & Whitney

When a tier Asian aerospace supplier reached out to Kennametal seeking reduced costs for a countersinking operation, our expert team developed an innovative indexable PCD countersink that increased tool life **2X over the competitor tool.**

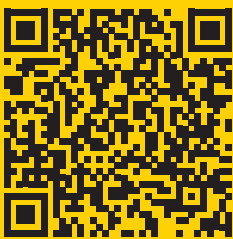
"For many years Kennametal has been a valued and trusted partner, providing HDI with technical and business support that is critical to our manufacturing operations. They work directly with us to develop innovative solutions to complex challenges, and the team is highly responsive to our needs."

Plant Manager, Héroux Devtek

Your Digital Space for Integrated Machining— kennametal.com

One convenient platform for everything you need
to build solutions in a collaborative environment.

- Keyword Search
- Browse Products
- Create Solutions and Projects
- Virtual Toolbox
- Solution Finder
- Team Collaboration
- Download Digital Assets
- Shopping



**TRANSFORM
YOUR WORKFLOW**

**Create.
Collaborate.
Innovate.**



We've Been Cutting Metal Since 1938.



Our Story Is One of Continuous Innovation

It starts in 1938 with our founder, metallurgist Philip M. McKenna, who after years of research created revolutionary tungsten-titanium carbide alloy cutting tools specifically for working with steel. That single development not only led to a new class of machining tools that cut faster, lasted longer and drove productivity in everything from the automobile to the airplane, but also led to the opening of McKenna Metals Company in Latrobe, Pennsylvania, United States. Today, that company is Kennametal Inc.—a recognized leader in metalworking serving customers across continents and industries including transportation, construction, aerospace and defense, machining and cutting, energy and general engineering. We have a reputation for building innovative solutions for our customers' most challenging applications. The name Kennametal is synonymous for high-quality, high-performance tools that can withstand the most strenuous conditions and bring ease to a wide range of machining operations. We help our customers' operations run longer, faster and with greater precision. We don't cut corners. We cut metal. Your toughest materials don't stand a chance.

LET'S PUT YOUR MACHINING ON AUTOPILOT



In stock and ready to ship. Order today.
800.265.3541 | omnitoool.ca

Available
Today At



 **KENNAMETAL**® DISTRIBUTOR

©2025 Kennametal Inc. | All rights reserved. | 295350-25

LET'S TAKE YOUR MANUFACTURING
TO NEW HEIGHTS

kennametal.com/aerospace